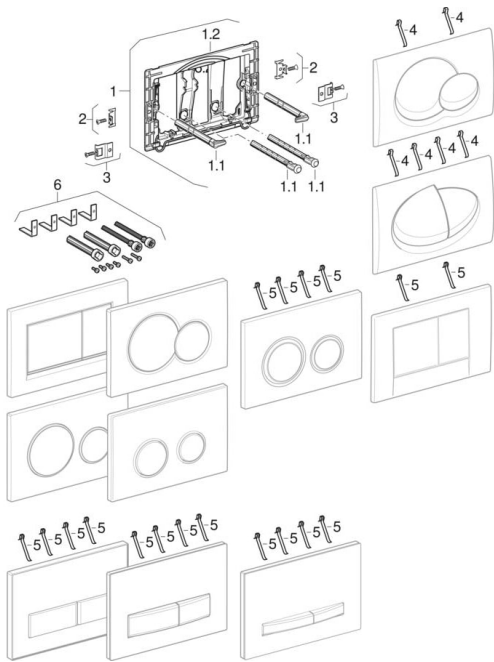


Spare parts for: Actuator plates Sigma, Samba, Bolero, Twist, for dual flush 2000 -



TYPE

Bolero, Samba, Sigma01, Sigma20, Sigma21, Sigma30, Sigma50, Twist

CHARACTERISTICS

Year of manufacture from 2000
 Dimensions / Design 24.6 x 16.4 cm

RELATED SPARE PARTS

- Sigma concealed cisterns 12 cm (UP320)
- Sigma concealed cisterns 8 cm, front actuation (UP720)
- Overview actuator plates and cover plates for Sigma concealed cisterns
- Sigma concealed cisterns 12 cm (UP300)
- UP700 concealed cisterns

INFO

- Only the listed articles are available

#	Art. no.	Description	Replacement for	Remarks
1	241.873.00.1	Geberit conversion set for actuator plates Danceline	240.935.00.1, 241.875.00.1	
1.1	241.874.00.1	Geberit set of actuator rods for Sigma concealed cistern		From year of manufacture 2008

- 115.782.46.1
- 115.788.21.5
- 115.884.SI.1
- 115.788.SD.2
- 115.882.KH.1
- 115.770.LA.5
- 115.884.SJ.1
- 115.788.SQ.2
- 115.882.KJ.1
- 115.770.LB.5
- 115.884.TG.1
- 115.788.TG.2
- 115.882.KK.1
- 115.670.QB.2
- 115.884.00.1
- 115.788.JM.2
- 115.882.KL.1
- 115.671.QD.2
- 115.884.JM.1
- 115.788.00.2
- 115.882.KM.1
- 115.672.QF.2
- 115.788.11.2
- 115.883.JQ.1
- 115.882.KN.1
- 115.770.79.5
- 115.788.21.2
- 115.882.JQ.1
- 115.882.SN.1
- 115.770.FY.5
- 115.788.DW.2
- 115.889.SN.1
- 115.770.SX.5
- 115.788.GH.2